

960X510MM



1510X510MM



### Radiator Specification

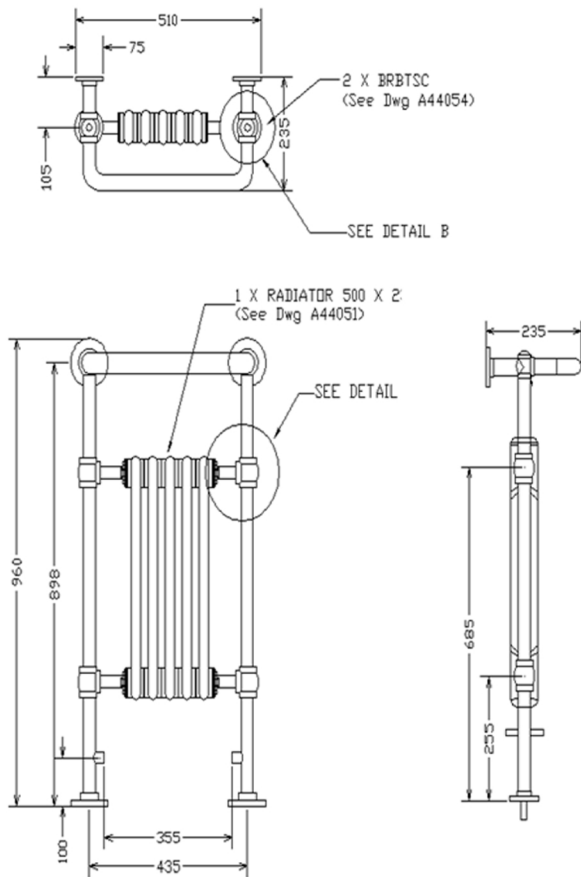
- Material: Steel
- Warranty: 10 Year Manufacture
- Product tested in accordance with EN442
- Connections: 1/2"
- Max working pressure: 10 bar

### Features and Benefits

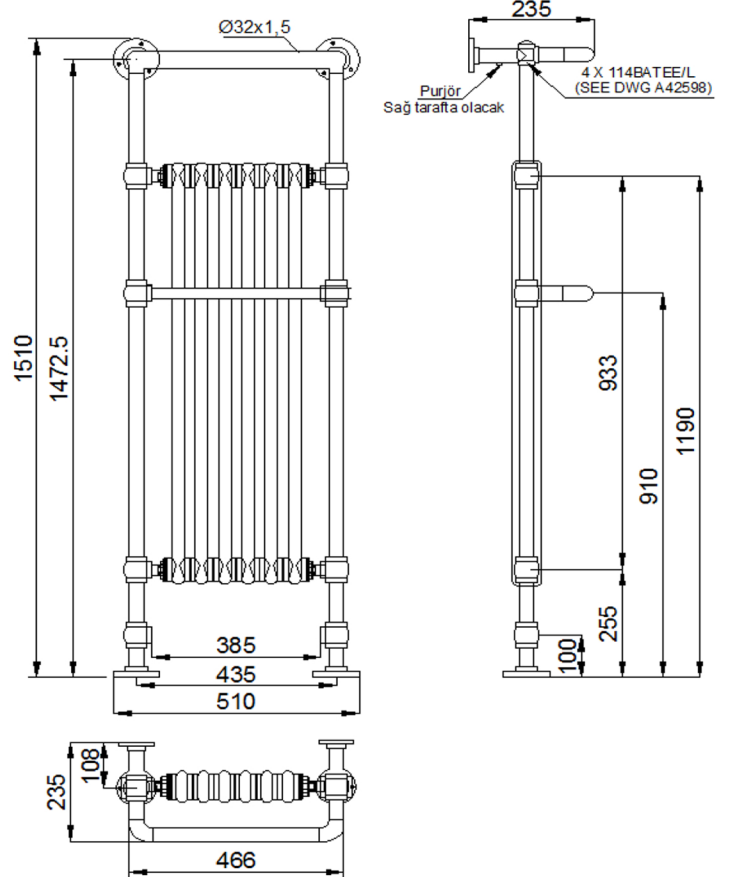
- Traditional style mixed with contemporary functionality
- Available in dual fuel option (300 watts only)
- Excellent heat output

Product Code New	Finish	Height (mm)	Length (mm)	Depth (mm)	Pipe Centres	Output (Watts)	Output (BTUs)
120928	Chrome & White	960	510	235	350	399	1361
120927	Chrome & White	1510	235	375	723	2466	

960X510MM



1510X510MM



"DETAIL B" "DETAIL A"