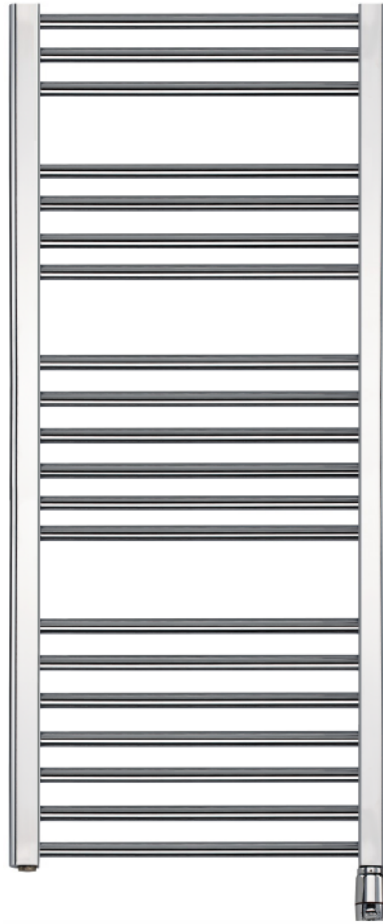


**Gabarrón**



**TBC**

TOWEL RAIL

TBC 8  
TBC 12

*Please read these instructions carefully before installing or using this appliance for the first*

## 1. IMPORTANT INFORMATION

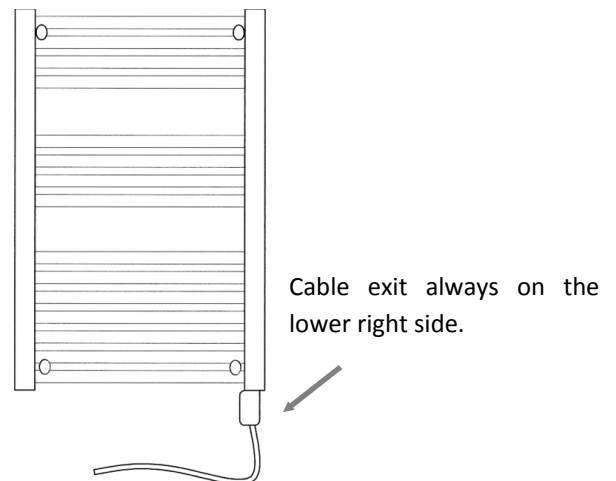
- The warranty of the towel rail will not cover any damage caused by the non observance of any of these instructions.
- This guide must be kept and given to any new user.
- Please, check that the voltage in the rating label fits the power supply.
- The installation must be carried out in accordance with the current electrical regulations.
- The installation of the towel rail should be carried out by trained personnel.
- The use of electric towel rails is forbidden in any area where there is a presence of gases, explosives or inflammable objects.
- The towel rail should not be installed exactly under an electric outlet.
- The appliance must be installed in such a way that it is impossible for anyone using a bath or shower, to touch the controls.
- The surfaces of the towel rail can be hot and caution is advised when small children are near the appliance.
- **Warning: In order to avoid a hazard for very young children, this appliance should be installed so that the lowest heated rail is at least 600mm above the ground.**
- If the supply lead of the towel rail is damaged it must be replaced by service personnel authorized by the manufacturer, since special tools are needed.
- This appliance must be earthed.
- Before carrying out any work inside the appliance, the towel rail must be disconnected from the electricity supply.
- All the models incorporate a safety device. This will disconnect the towel rail if for some reason it fails. If the safety device activates the towel rail will need to be repaired by service personnel authorized by the manufacturer.
- The presence of air particles of smoke, dust and other pollutants could, in time, discolour the walls and surfaces around the towel rail.

## 2.- INSTRUCTIONS OF INSTALLATION

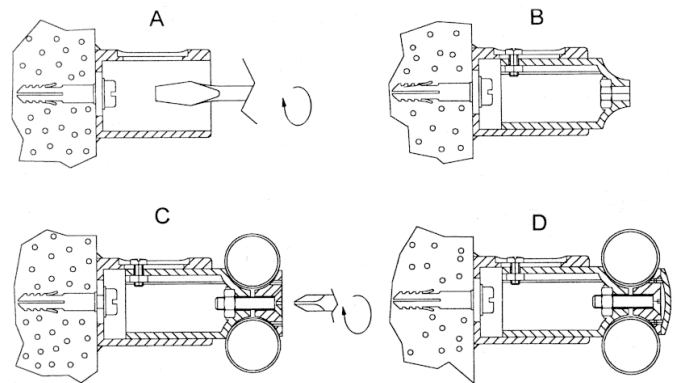
The towel rail is designed to only work in a vertical position and fixed to the wall, never to the ceiling.

A clear distance of 5 cm must be allowed around the towel rail.

The fixation to the wall is carried out by means of the four supports given with the appliance, according to the following outline.



The towel rail supports should be placed in sequence as indicated below.



## 3. APPLICATION OF USE

The bathroom towel rail has two very useful functions: can be used as heating for bathrooms and can be used to dry towels and clothes.

The towel rail incorporates an electronic thermostat that controls the temperature of the room. An indicator is illuminated when the apparatus is consuming energy.

A small control allows you to adjust the temperature. By rotating the control of the thermostat to the maximum the towel rail will heat more quickly, when the required temperature is reached slowly rotate counter clockwise until the luminous indicator goes out. In this position the towel rail will maintain the selected temperature automatically. Different surface temperatures could arise due to the internal fluid distribution in the towel rail.

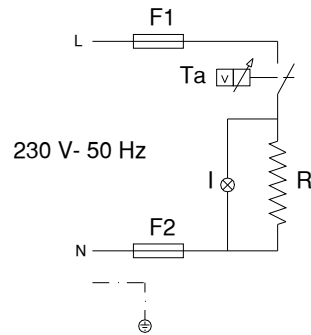
#### 4. MAINTENANCE

The towel rail doesn't require any type of special maintenance. Clean with a cloth, only when the unit is disconnected and cold. Do not use solvents or abrasive products when cleaning.

The towel rail is filled with a precise quantity of special fluid. Any repairs that may require the opening of the towel rail must only be carried out by the manufacturer.

The towel rail has been manufactured to assured quality and according to processes to protect the environment. Once at the end of the useful life of the appliance, take it to a clean point so that it's materials can be recycled appropriately.

#### 5. WIRING DIAGRAM



Voltage: 220 – 240 V~  
IP 65

F1: fuse 1

F2: fuse 2

Ta: electronic thermostat

I: Luminous indicator

R: Heating element

Models:

TBC8 (300 W - Crome)

TBC12 (500 W - Crome)

#### EN



The symbol on the product or in its packaging indicates that this product may not be treated as household waste. Instead it shall be handed over to the applicable collection point for the recycling of electrical and electronic equipment. By ensuring this product is disposed of correctly, you will help prevent potential negative consequences for the environment and human health, which could otherwise be caused by inappropriate waste handling of this product. For more detailed information about recycling of this product, please contact your local city office, your household waste disposal service or the shop where you purchased the product. These instructions are only valid in the EU member states.



ELNUR UK LTD  
Unit 1 Brown Street North  
Leigh, Lancashire, WN7 1BU

Tel. **01942 670119** - Sales  
Tel. **01942 265048** - Technical

[www.elnur.co.uk](http://www.elnur.co.uk)  
[www.elnur.es](http://www.elnur.es)  
[www.elnur-global.com](http://www.elnur-global.com)



*As a part of the policy of continuous product improvement Elnur UK Ltd reserves the right to alter specifications without notice.*